

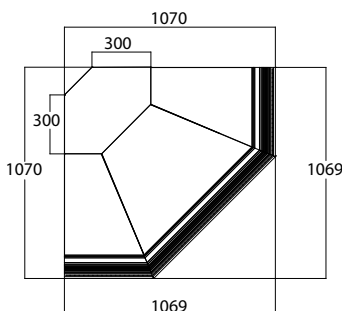
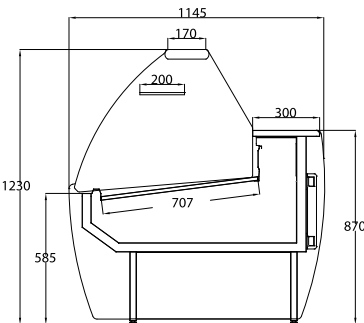


Maxime Curved Range

Serve Over Counter



Maxime 1.5m Curved Glass Blue



Red Trim Option



Grey Trim Option



Digital Control and 13 Amp Socket for Scales or Till



Rear Understorage Clear Opening 450x250mm per door



Maxime Corner Runs Available - P.O.A.

IMPORTANT. Multiplexed runs of Maxime are factory order only. Reduction for end walls and multiplexing kit are included in the price of the corner unit. Please check door width/site access before ordering. Additional charges apply for unpack and installation. Please refer to sales office for further information.

MODEL	Description	Price	Trim Colour Options:-
MAXIME 10C	White	£1835	Grey (Standard)
MAXIME 15C	White	£2246	Blue (Option)
MAXIME 20C	White	£2765	Red (Option)
MAXIME 25C	White	£3479	
MAXIME 30C	White	£3998	
MAXIME 90C	White Corner	£2617	

