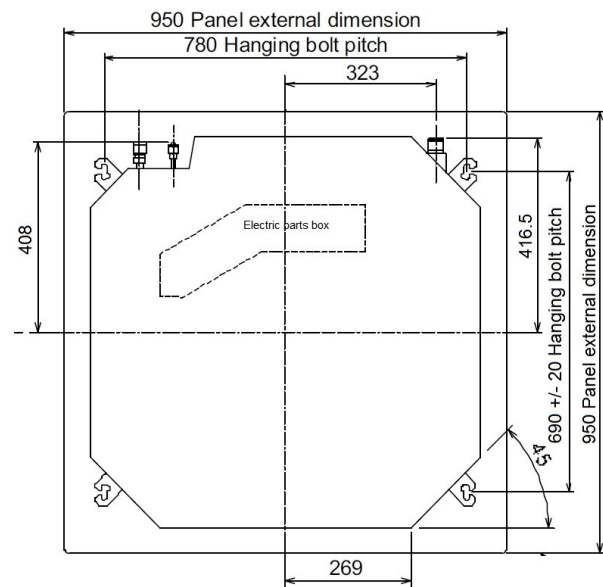
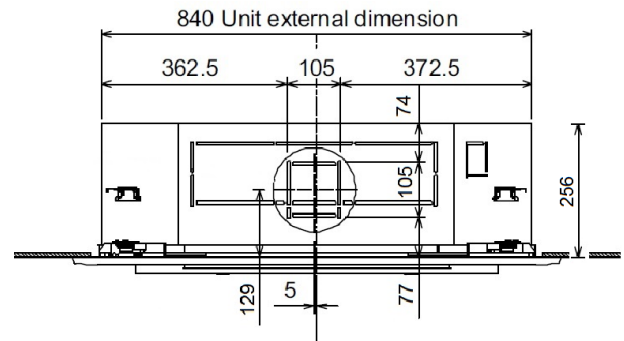


RAV-SM804UT-E 4 Way Cassette System

- R22 & R407C replacement technology
- Self-cleaning function
- Lift pump up to 850mm lift
- Individual setting of louver position
- Wireless remote control and optional wired remote controller and timer

Model Reference	RAV-SM804UT-E	
Nominal Cooling	(kW)	6.7
Nominal Heating	(kW)	8.0
Annual Power Consumption (SM / SP *)	(kWh)	1045 / 930
UK Cooling (SM / SP *)	(kW)	6.65 / 6.65
UK Sensible Cooling (SM / SP *)	(kW)	4.09 / 4.4
UK Heating (SM / SP *)	(kW)	6.66 / 6.66
Starting Current (SM / SP *)	(A)	1 / 1
Running Current (SM / SP *)	(A)	10.11 / 8.95
Suggested Fuse Size (SM / SP *)	(A)	16 / 10
Power Supply—Outdoor	(V-ph-Hz)	220/240-1-50
Interconnecting Cable	3 core plus earth	
Sound Power H-L	(dB(A))	50-43
Sound Pressure H-L	(dB(A))	35-28
Air Flow H-L	(m ³ /h)	1230-810
Air Flow H-L	(l/s)	341-226
Dimensions (HxWxD)	(mm)	256 x 840 x 840
Unit Weight	(kg)	20
Energy Label Cool/Heat (SM / SP*)	A+ /A+ A++/A+	
EER / COP (SM / SP *)	3.21/3.62 3.82/4.19	
SEER / SCOP (SM / SP *)	5.63/4.02 6.39/4.19	
Pipe Sizes (Liquid / Suction)	(Inch)	3/8—5/8
Panel Reference	RBC-U31PG (W) -E	

* Refers to outdoor combination SM= Digital Inverter / SP= Super Digital Inverter.



Cool Designs Ltd

Raising the Standards in Air Conditioning Distribution

www.cdlweb.info



All UK duties are based on Cooling Indoor air temperature 22°C DB/16°C WB Outdoor air temperature 28°C DB 50% RH, high fan speed, 5m pipe run.
Heating Indoor air temperature 21°C DB Outdoor air temperature -4°C DB 100% RH, high fan speed, 5m pipe run. Values are based on the maximum compressor output.
Data obtained from Toshiba Air Conditioning Web Data July 2013.